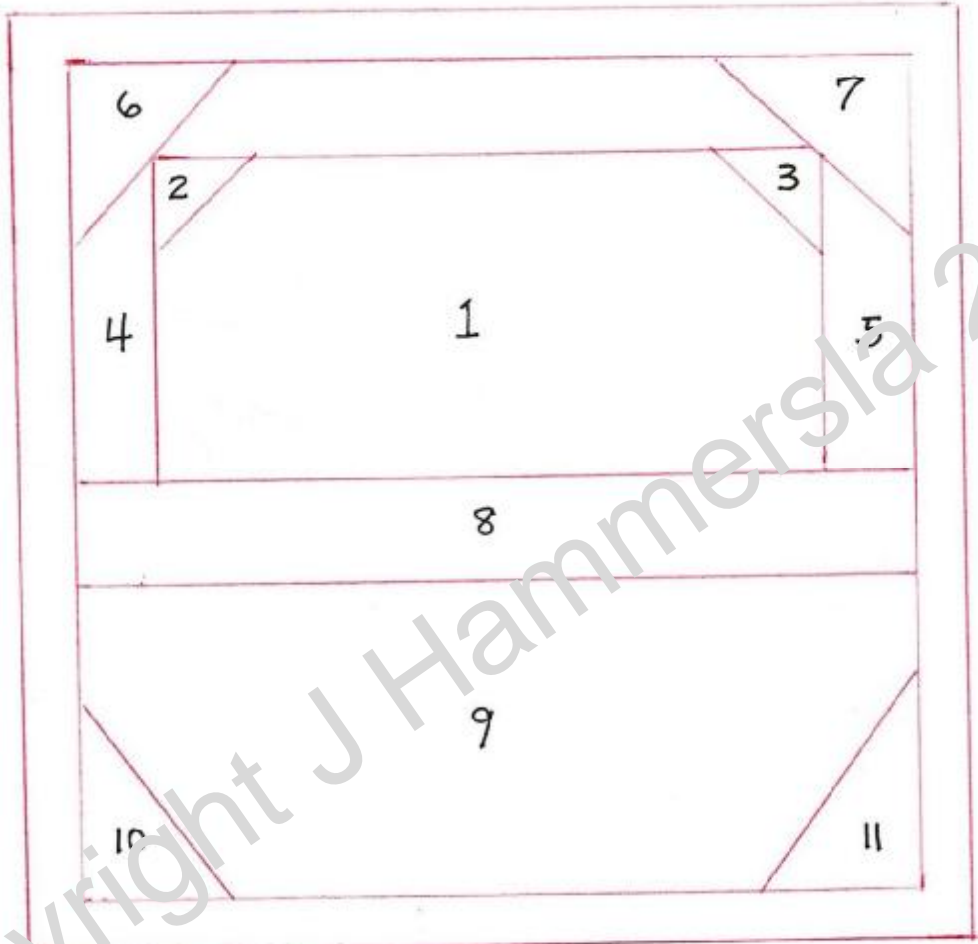


Easter Basket Foundation Pattern

Make up this design using your favourite foundation piecing method

For flat seams with all foundation piecing methods, and a smooth tear away effect when using paper foundations, we recommend stitching with Cotton Mako' Ne 50 thread.



Find information about Aurifil thread at:

<http://alwaysquilting.wordpress.com>

<http://www.alwaysquilting.com.au/ThreadsOnline>